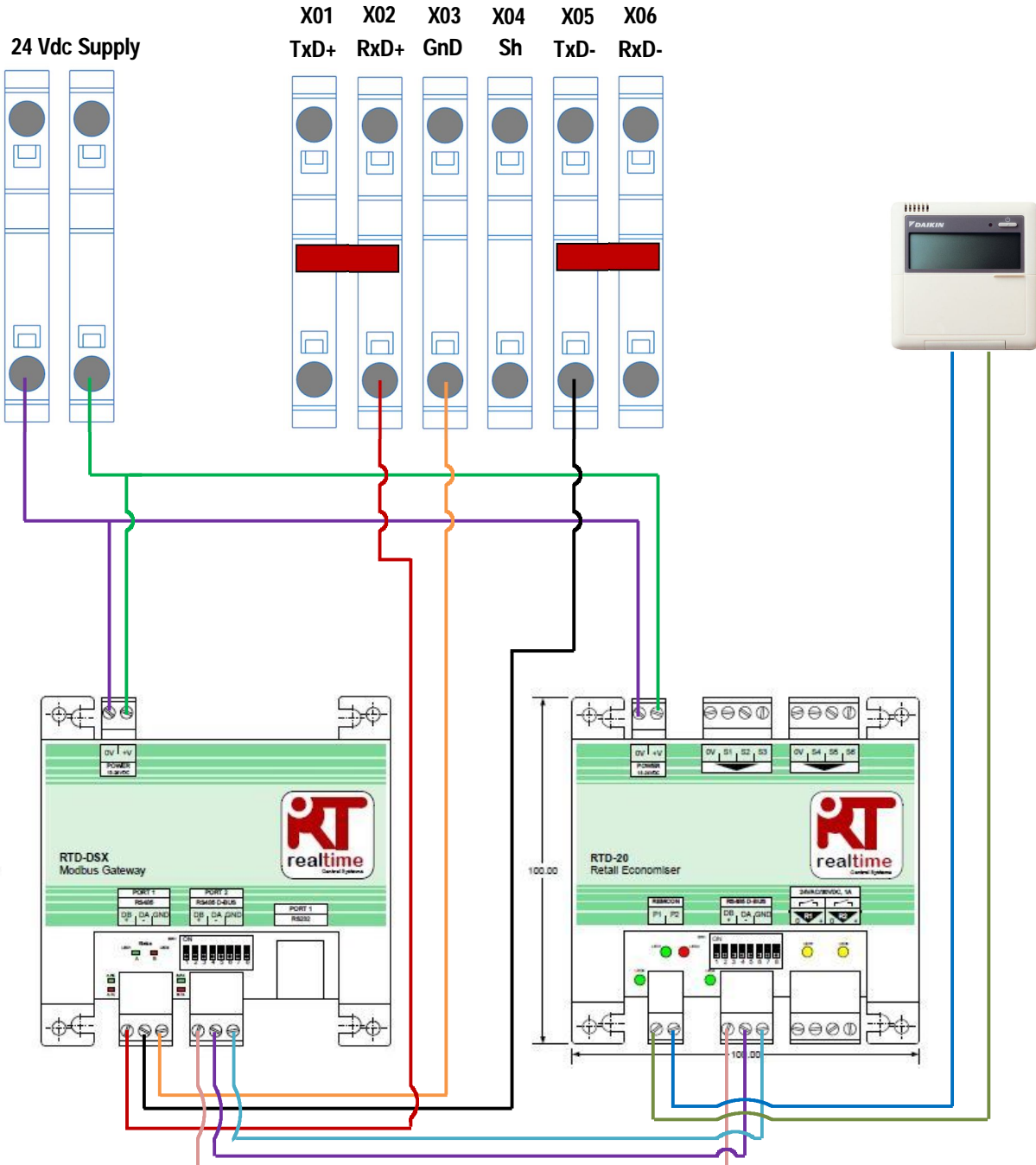


## Daikin Modbus Interface RTD-20 Economiser

### Connector Block Panel



**Wired for half Duplex**

**Data B+** ———

**Data A-** ———

**Gnd** ———

**Link for Half Duplex**

Title	
Daikin RTD-20 Wiring Diagram	
Author	SJ Shoubridge
Date	01/06/2018 Sheet 1
Revision	