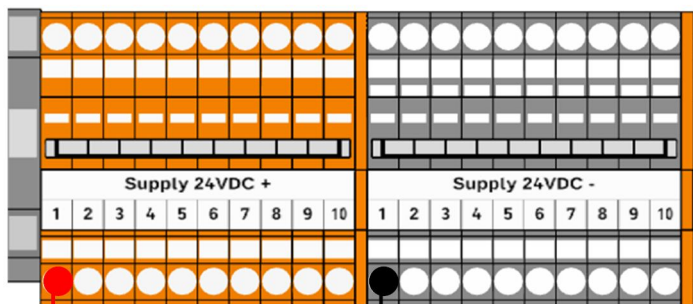
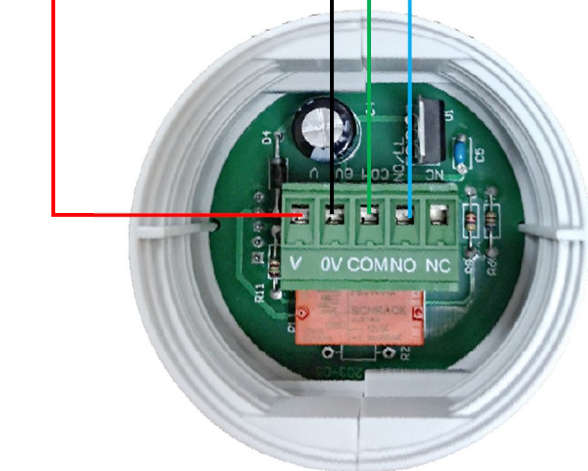
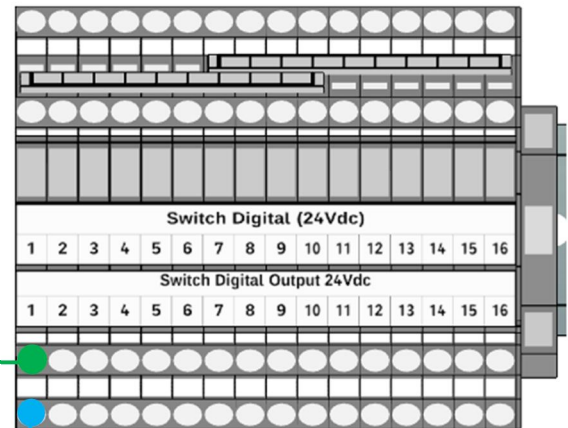


Sontay OC-C-LV Pir/Switches

Supply 24Vdc



Switch Inputs



Sontay Pir

- V Supply voltage 24Vac/dc
- 0V Supply 0V
- COM Relay output common
- NO Relay output normally open
- NC Relay output normally closed

Detection No occupancy com - n/o
Occupancy com - n/c

Don't forget EnOcean if you want Wireless

If there are 2 supplies
use the Supply 24Vdc instead
of the Logic.

We do not use the N/C contact
as Hyperion Software handles No
Occupancy/Absence parameter.

Title	
Sontay OC-C-LV Switches Wiring Diagram	
Author	SJ Shoubridge
Date	01/06/2018 Sheet 1
Revision	