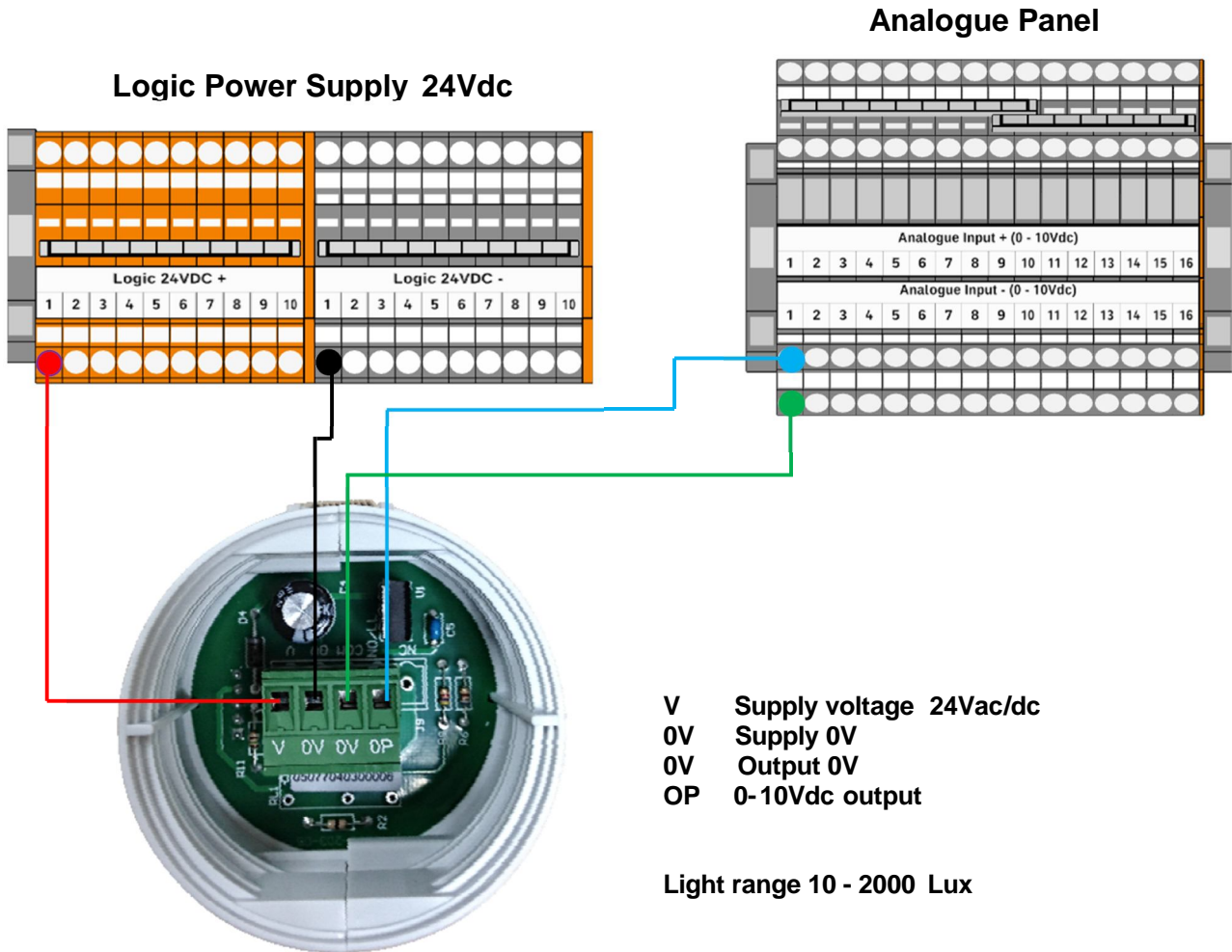


## Sontay Lux Analogue Sensor - LL-C-V



**Sontay Lux Sensor**

**V** Supply voltage 24Vac/dc  
**0V** Supply 0V  
**0V** Output 0V  
**OP** 0-10Vdc output

Light range 10 - 2000 Lux

Don't forget EnOcean if you want Wireless

It is **ESSENTIAL** for all sensors to use the logic Power Supply

Providing the device has a **0-10v** Output any device can be used whether its supply is **12v,24v or 240v** etc.

Scaling Analog Input is done within our software

Title	LL-C-V Sontay Lux Wiring Diagram		
Author	SJ Shoubridge		
Date	01/06/2018	Sheet	1
Revision			