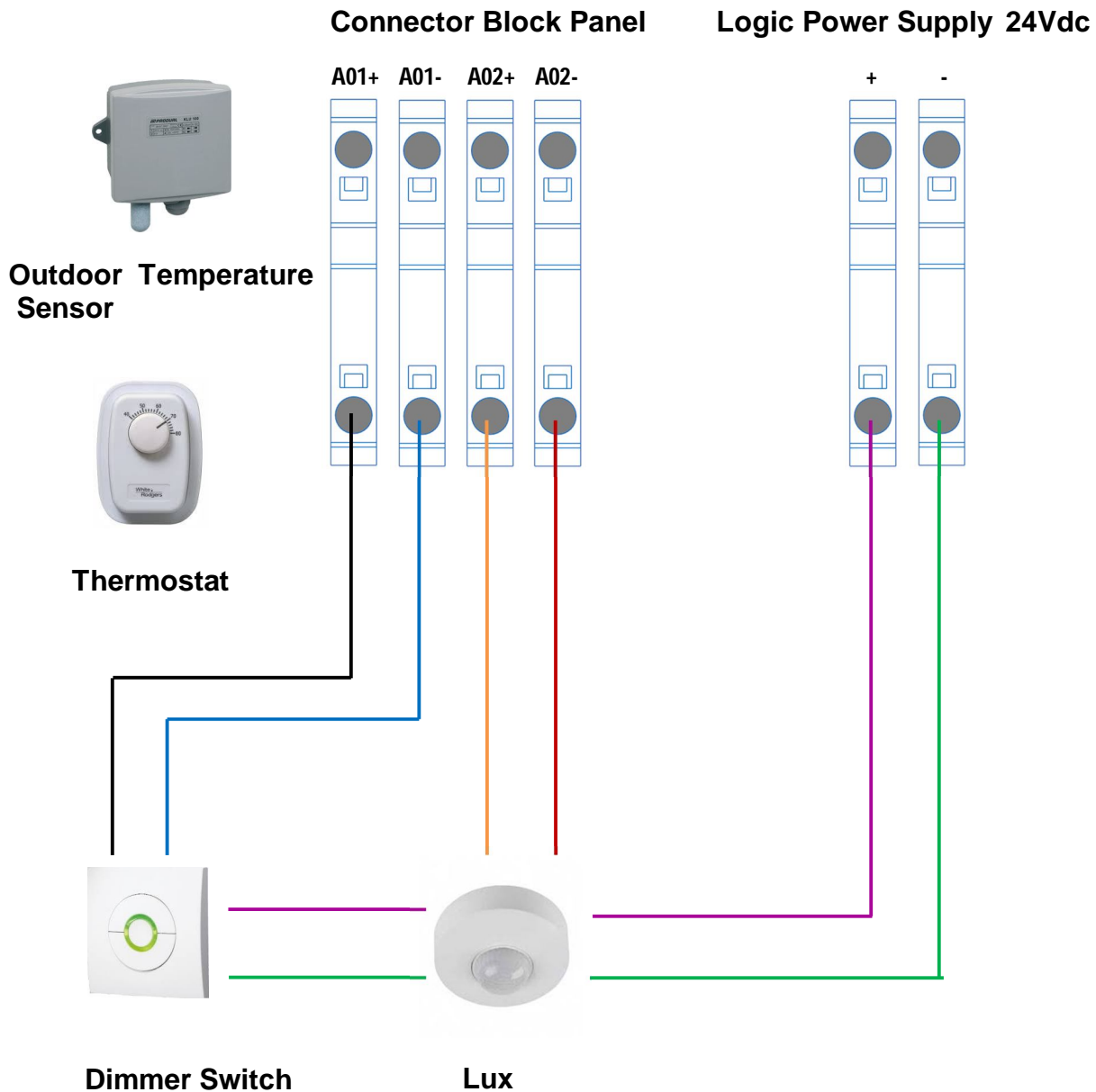


Analogue Inputs



It is **ESSENTIAL** for all sensors to use the logic Power Supply

Providing the device has a **0-10v** Output any device can be used whether its supply is **12v, 24v or 240v** etc.

Scaling Analog Input is done within our software

G is Wiring for Ground on Cable Marking

Title		Analog Input Wiring Diagram	
Author		SJ Shoubridge	
Date	01/06/2018	Sheet	1
Revision			