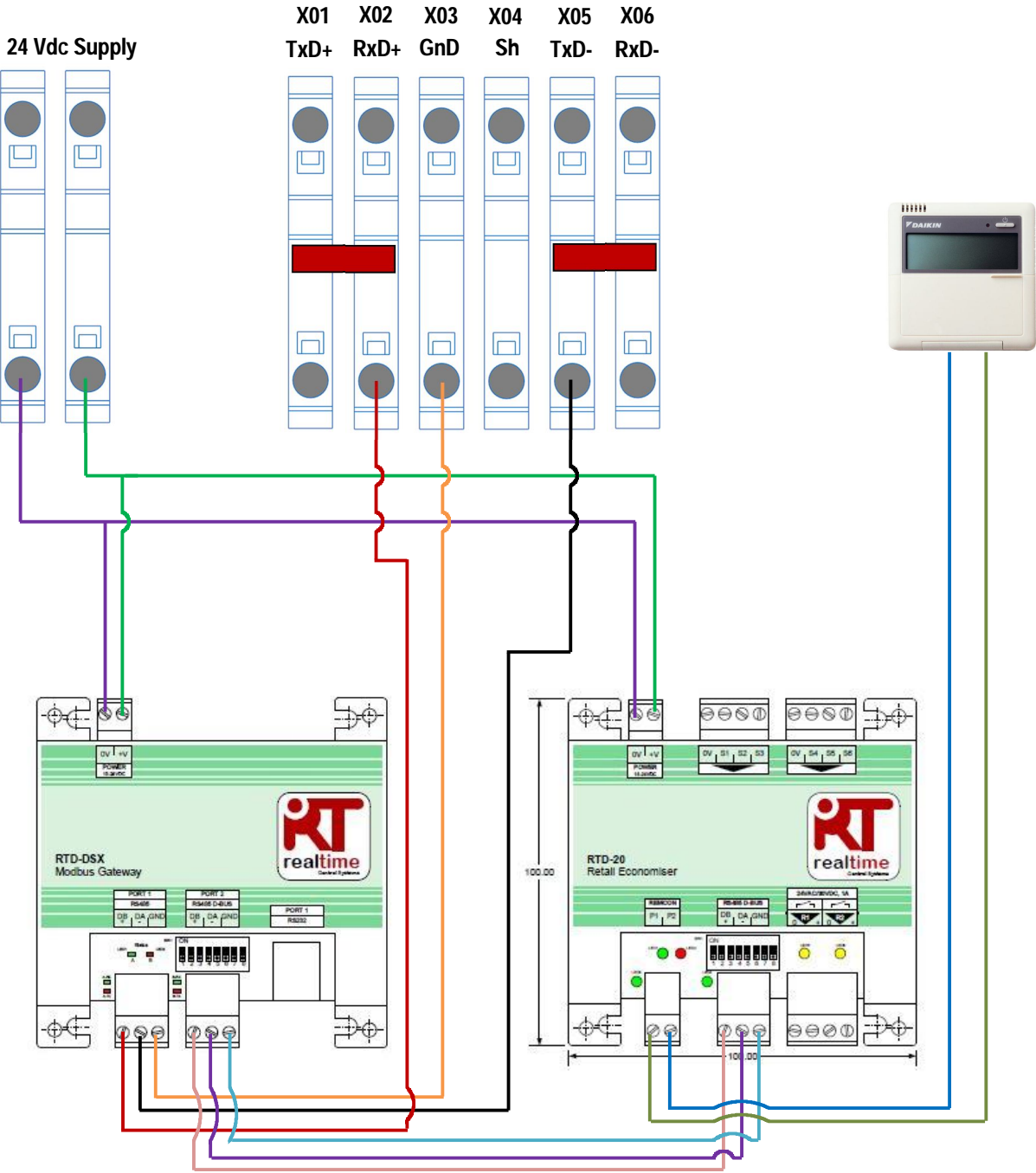


Daikin Modbus Interface RTD-20 Economiser

Connector Block Panel



Title		Daikin RTD-20 Wiring Diagram	
Author		SJ Shoubridge	
Date	01/01/2018	Sheet	1
Revision			